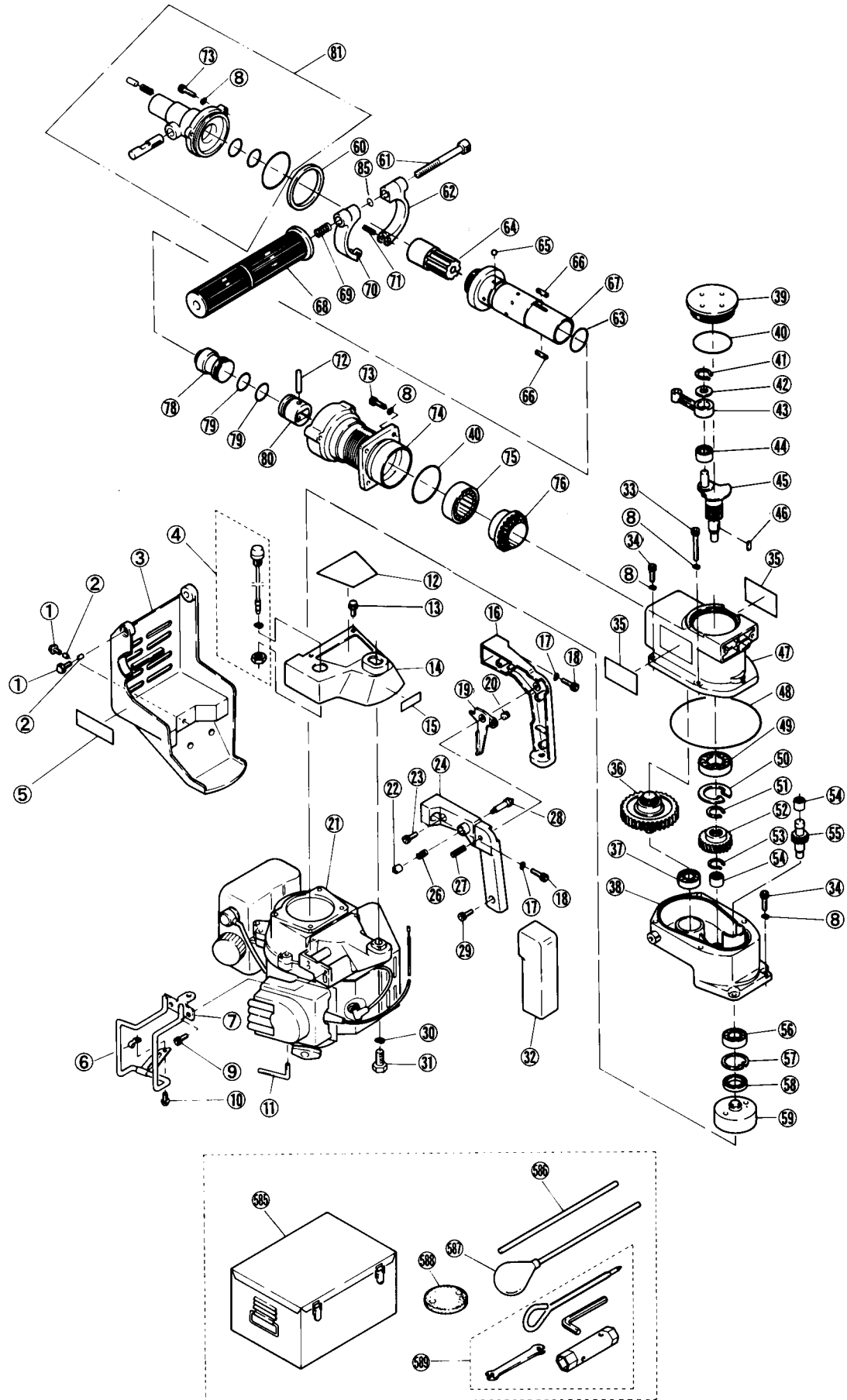
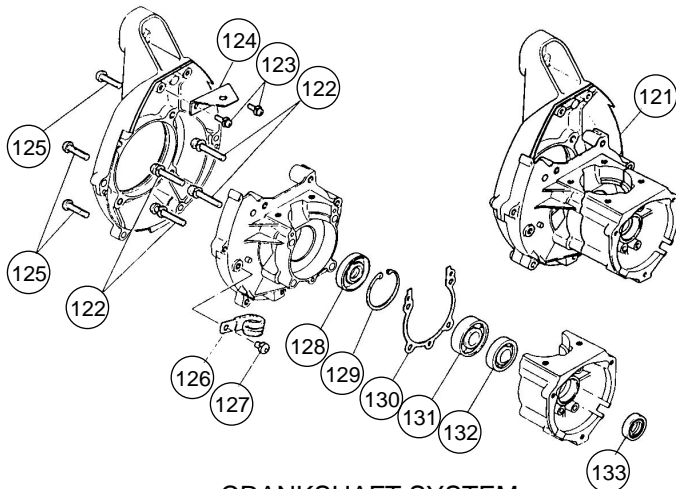


# ROTARY HAMMER "SPLINE"

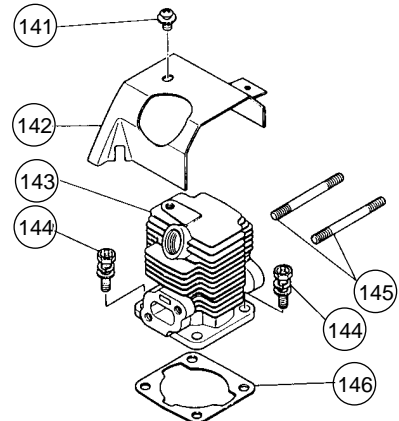
## ER-382



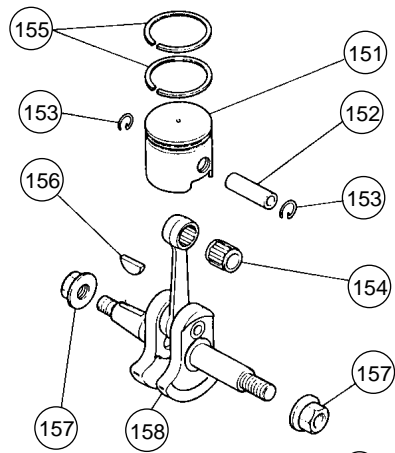
## CRANKCASE SYSTEM



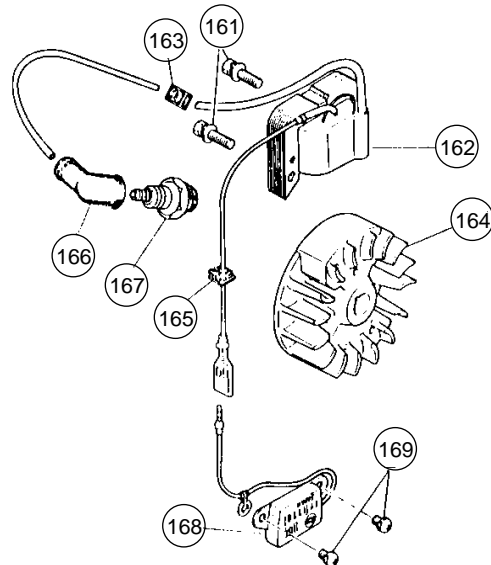
## CYLINDER SYSTEM



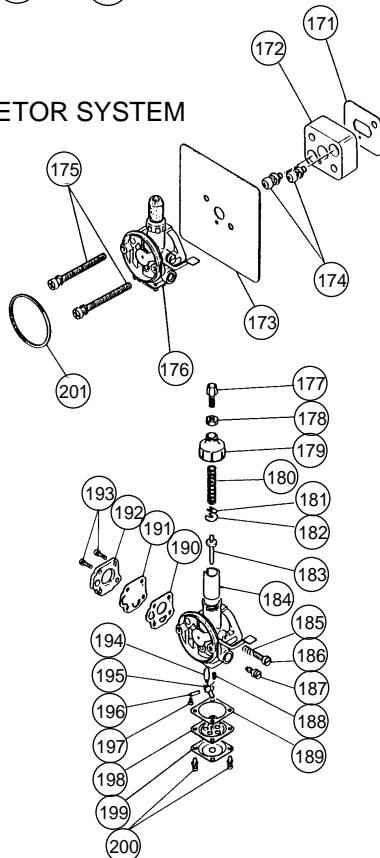
## CRANKSHAFT SYSTEM



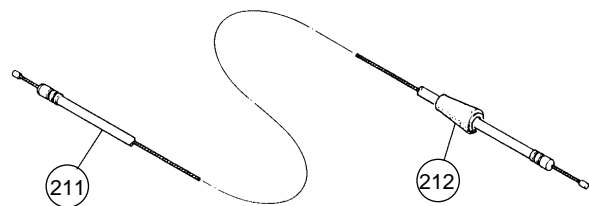
## FLYWHEEL SYSTEM



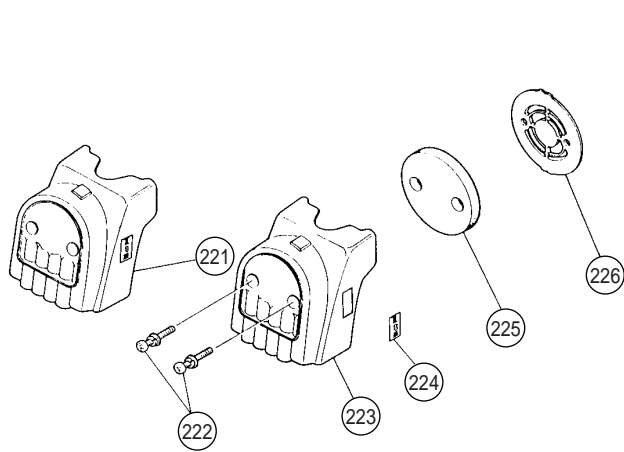
## CARBURETOR SYSTEM



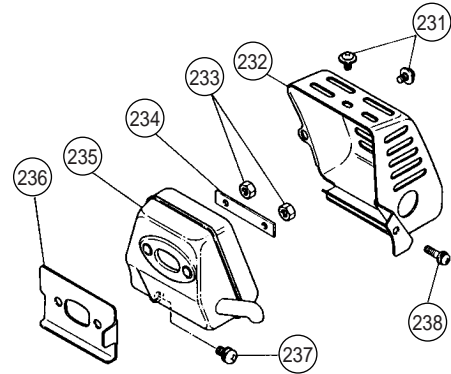
## CONTROL SYSTEM



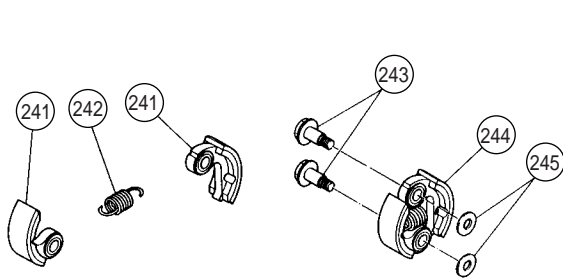
## AIR CLEANER SYSTEM



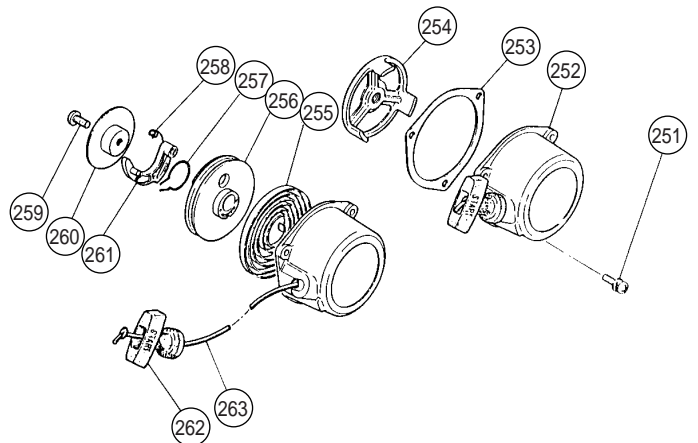
## MUFFLER SYSTEM



## CLUTCH SYSTEM



## RECOIL STARTER SYSTEM



## FUEL TANK SYSTEM

